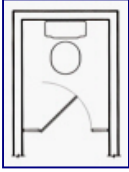


TampaToiletStalls.com (Doing stalls since 1981)

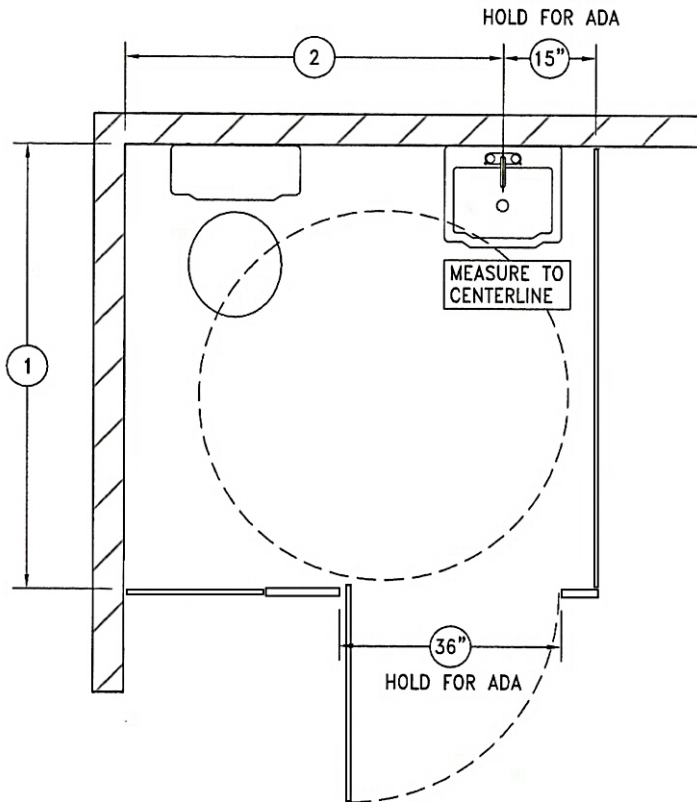


RESTROOM PARTITIONS – HARDWARE – REPLACEMENT PANELS – PARTS

From Unique Cabinetry Inc – 4180 116th Terrace North , Clearwater FL 33762

Phone 727-571-1131 Fax 727- 572-7665

Contact Name _____ Phone _____
 Company Name _____ FAX _____
 Job Address _____



ADA CORNER STALL WALL LEFT

- Should have 60" clear wheelchair circle inside
- May require extra overhead bracing
- ADA requires 15" minimum from sink centerline to wall
- ADA door opening must be 36" wide minimum

MARK MEASUREMENTS HERE – DO ALL IN INCHES

1 LEFT WALL DISTANCE (stall depth) _____ (normally around 72")
 2 SIDE WALL TO SINK CENTER _____
 ADD 15" MINIMUM + 15"
 EQUALS REAR WALL LENGTH = _____

FAX us your Restroom Layout for a quote. We will help with layout.
FAX 727.572.7665