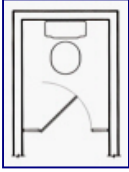


TampaToiletStalls.com (Doing stalls since 1981)

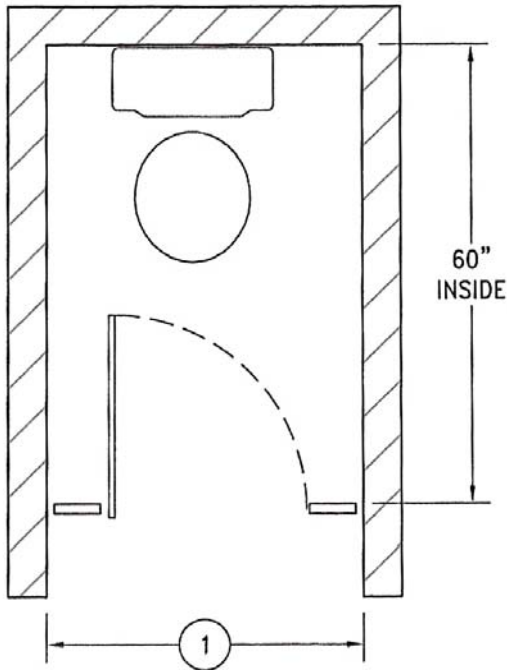


RESTROOM PARTITIONS – HARDWARE – REPLACEMENT PANELS – PARTS

From Unique Cabinetry Inc – 4180 116th Terrace North , Clearwater FL 33762

Phone 727-571-1131 Fax 727- 572-7665

Contact Name _____ Phone _____
Company Name _____ FAX _____
Job Address _____



ALCOVE STALL

- Normally 36" to 48" wide
- If alcove is larger than 48, stall will require an extra panel.
- Normal door size is around 24"

MARK MEASUREMENTS HERE – DO ALL IN INCHES

1 ALCOVE OPENING WIDTH _____

FAX us your Restroom Layout for a quote. We will help with layout.
FAX 727.572.7665