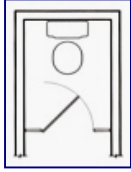


TampaToiletStalls.com (Doing stalls since 1981)

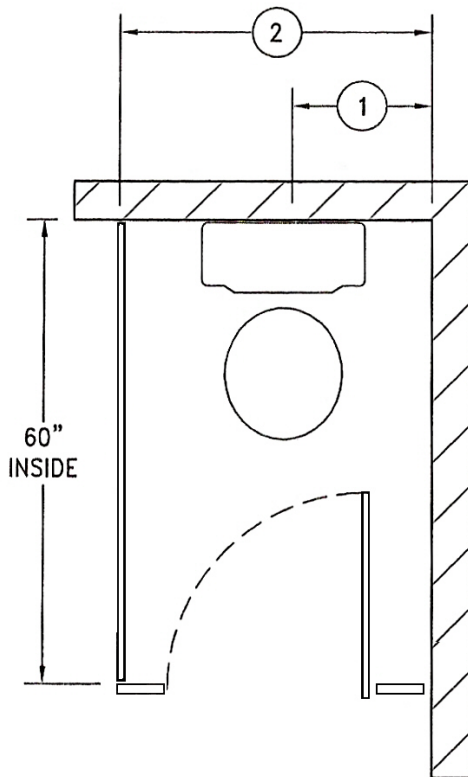


RESTROOM PARTITIONS – HARDWARE – REPLACEMENT PANELS – PARTS

From Unique Cabinetry Inc – 4180 116th Terrace North , Clearwater FL 33762

Phone 727-571-1131 Fax 727- 572-7665

Contact Name _____ Phone _____
Company Name _____ FAX _____
Job Address _____



END STALL WALL RIGHT

- Normally 36" wide – Minimum width is 30"
- Normal door size is around 24"
- Check the left side for anything in the way – entrance door, vanity etc

MARK MEASUREMENTS HERE – DO ALL IN INCHES

- 1 RIGHT WALL TO TOILET CENTER _____
2 STALL WIDTH _____

FAX us your Restroom Layout for a quote. We will help with layout.
FAX 727.572.7665